

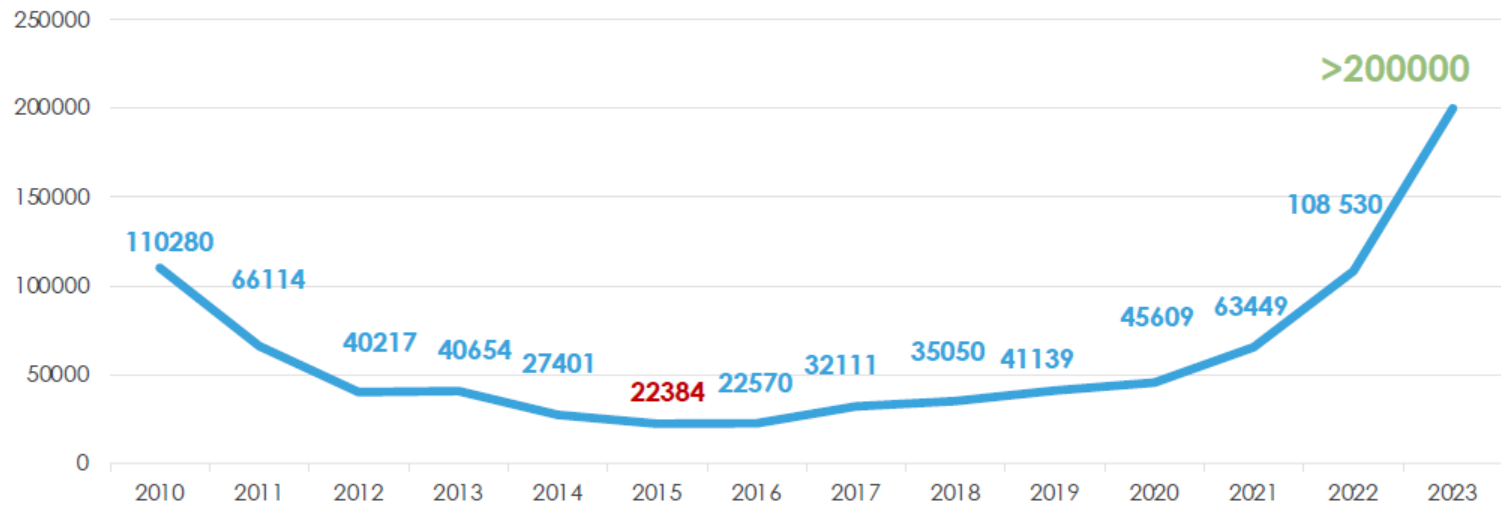


# **PV Situation in France**

**Fisuel Seminar – 15-16 of October 2024**

**Barcelona - Spain**

## Situation in France : evolution of the PV market from 2010 to 2023



## Situation in France : objective of deploying PV systems



- **Conformity of IPPV installations:**
  - Based on the CONSUEL's process up to 250 KVA.
  - Standard in effect : NF C 15-712-3
  - Inspections:
    - CONSUEL for housing accommodation
    - Private inspection accredited bodies for other buildings

- **Consequences disasters & fires:**
  - Among damaged houses
    - 70 % : infiltration problems
    - 30 % : electrical problems
      - 10 % fires
  - 2018 : 28400 disasters fir 300 M€ costs

- **Main nonconforming points**
  - Accessibility of live parts 5%
  - IP2X on a self-consumption panel.
  - Main Equipotential Bonding: 15%
  - Inverter circuit overcurrent protection: 8%
  - Microinverters (3 meters to DB rule)
  - Emergency cut: 4%
  - Height of the AC and AGCP panel
  - Hardware compliance (decoupling): 9%
  - Cables implementation: 18%
  - Wiring without mechanical protection
  - bad labels: 36%

## ➤ Main nonconforming points

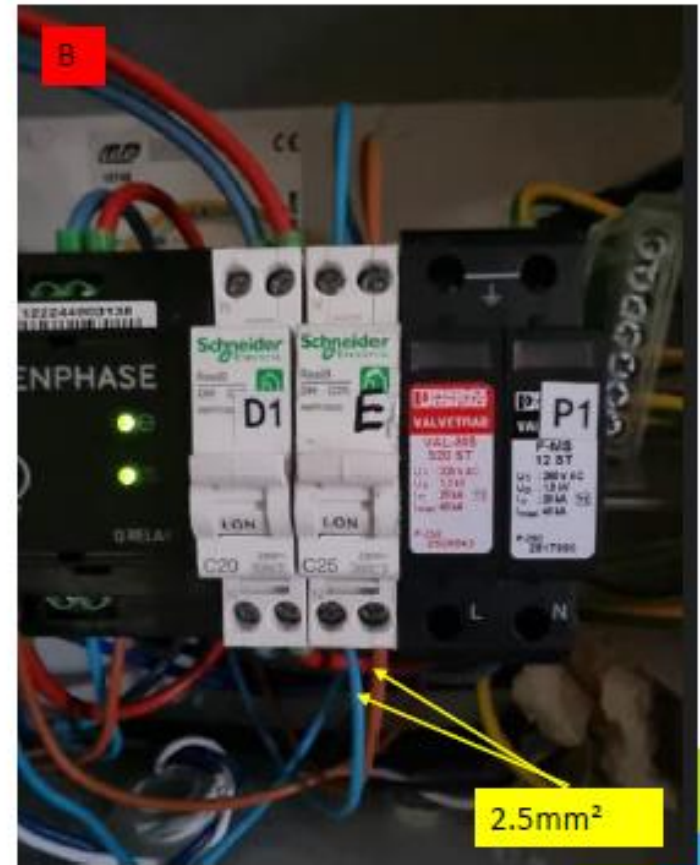
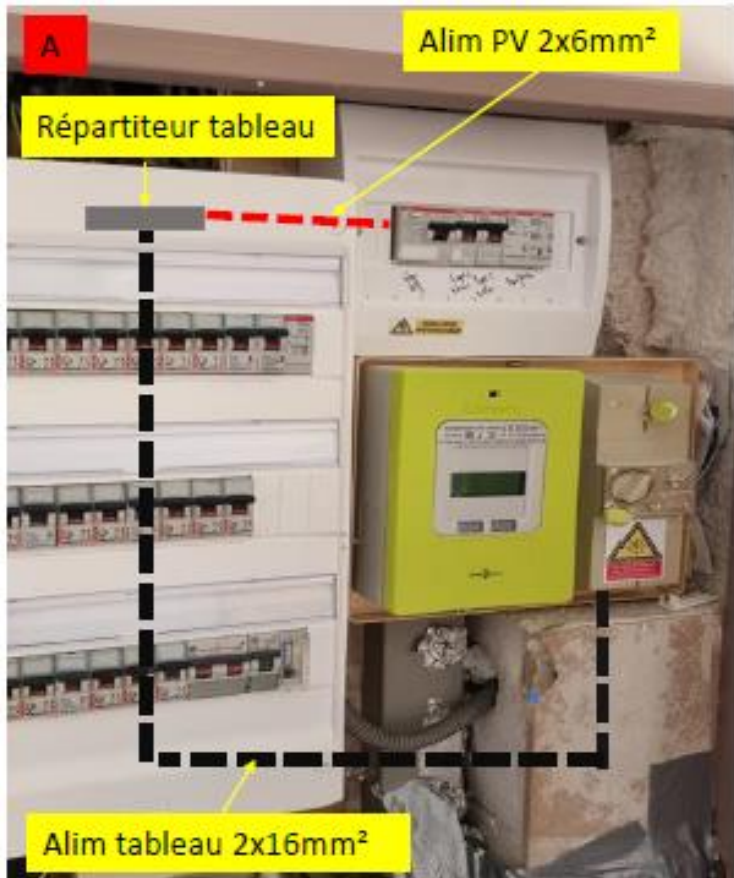


**Absence de protection mécanique**

**Tore de mesure: RAS**

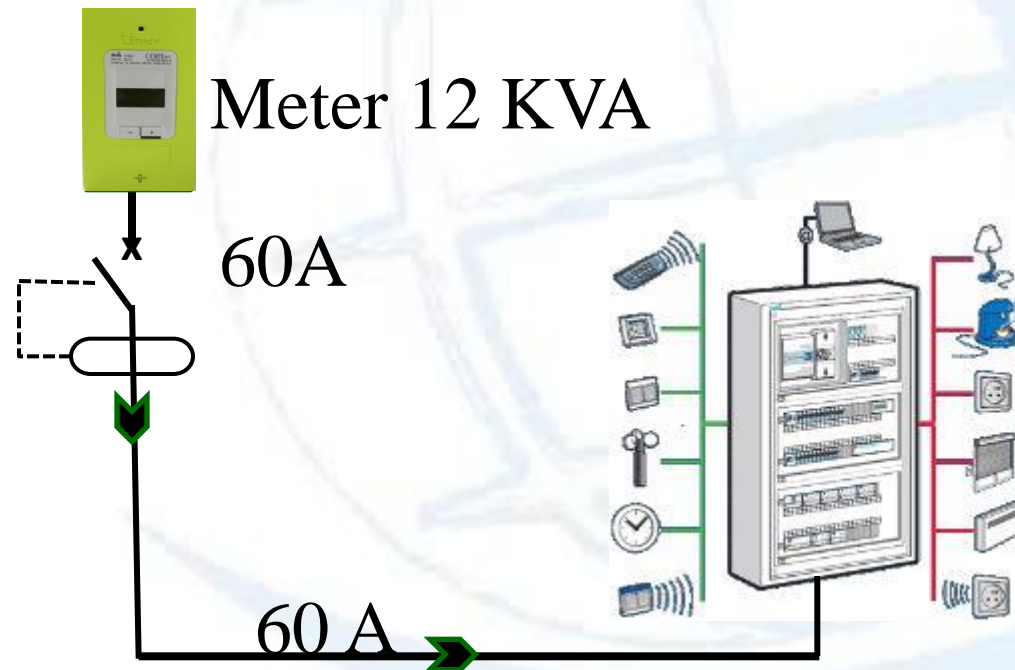


## ➤ Main nonconforming points

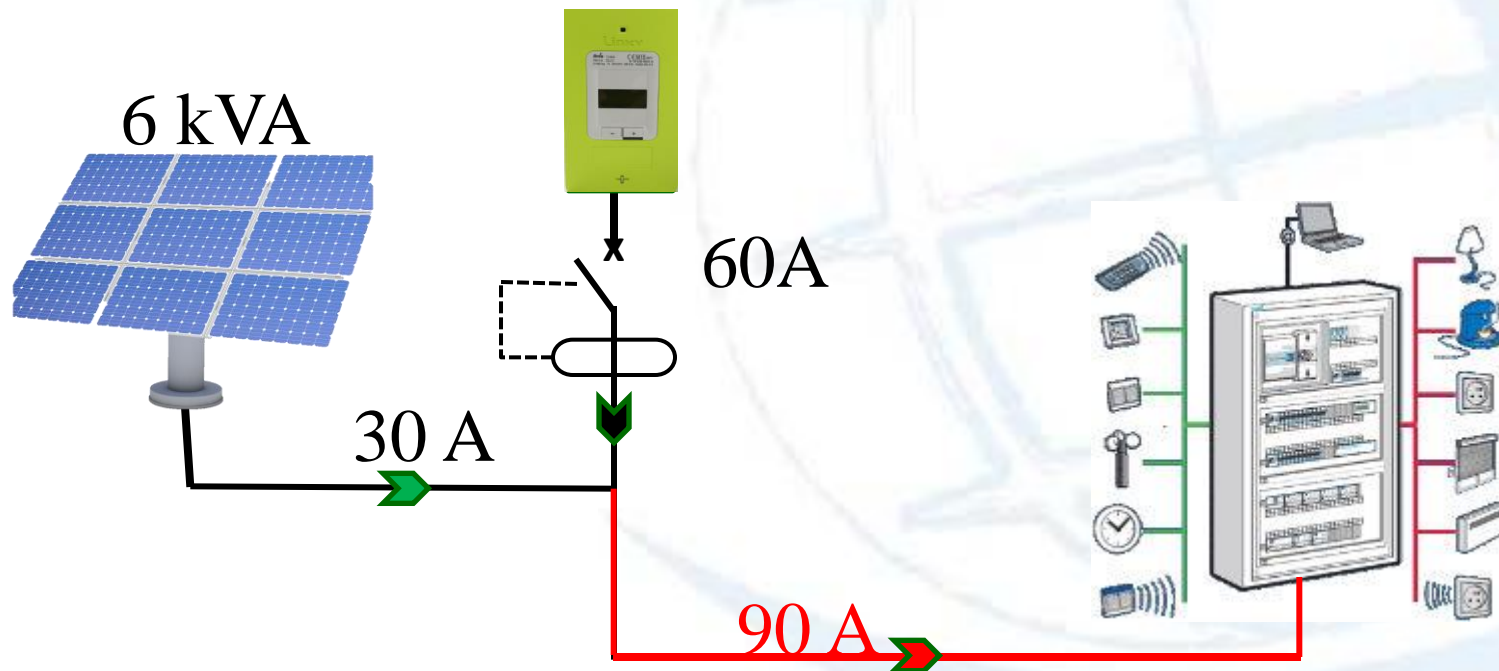




➤ **Compatibilty with existing electrical installation**



➤ **Compatibilty with existing electrical installation**





# Thank you very much